

# ASMS

# SPRUE EXAMINER



**A BASE FOR YOUR BUGGY**  
BY RICK HERRINGTON

**A NEW TAMIYA KIT REVIEW**  
BY CHRIS CHANY



*What's UP? Old Rumors & New Kits Tracked Topics*

News • Articles • Features • Opinions • Advice •

# CONTENTS

- Page 3 The President's Soapbox
- Page 4 House Cleaning
- Page 5 A Base for your buggy by Rick Herrington
- Page 11 A New Tamiya Kit Review by Chris Chany
- Page 12 . ABIA display case update by Tim Robb
- Page 13 What's Up Wid You?
- Page 18 Old Rumors and New Kits:
- Page 18 New and In View by Ron McCracken
- Page 31 Shipping News - by Rick Herrington
- Page 36 Tracked Topics by Panzer Lehr

## ASMS Officers & Chairpersons

Tim Robb - President; [president@austinsms.org](mailto:president@austinsms.org)

Ron McCracken - Vice-President; [vicepresident@austinsms.org](mailto:vicepresident@austinsms.org)

Aaron Smischney - Finance Minister; [treasurer@austinsms.org](mailto:treasurer@austinsms.org)

Seth Souza - Secretary; [secretary@austinsms.org](mailto:secretary@austinsms.org)

Rick Herrington - Newsletter Editor; [editor@austinsms.org](mailto:editor@austinsms.org)

Show Coordinator; [showcoordinator@austinsms.org](mailto:showcoordinator@austinsms.org)

Mike Gilsbach - Webmaster; [webmaster@austinsms.org](mailto:webmaster@austinsms.org)

Ben Morton - IPMS/USA Coordinator; [chaptercontact@austinsms.org](mailto:chaptercontact@austinsms.org)



[www.austinsms.org](http://www.austinsms.org)

Austin Scale Modelers Society (ASMS) is a chartered chapter of International Plastic Modelers Society (IPMS/USA). ASMS meets on the third Thursday of each month. Annual dues for full membership are \$25/individual or \$30/family. The views expressed in this newsletter are those of the authors. It is intended for educational purposes only.

ASMS does not endorse the contents of any article.

## Our Sponsors

Phil Brandt (in memorium)  
 Eric Choy Angela Forster  
 Jeff Forster Russ Holm  
 Rick Willaman Jack Johnston  
 Mike Krizan Rick Herrington  
 Dragon's Lair comics and fantasy



[www.austinarmorbuilders.com](http://www.austinarmorbuilders.com)



[www.kingshobbyshop.com](http://www.kingshobbyshop.com)



[www.wmbros.com](http://www.wmbros.com)



[www.ctsms.org](http://www.ctsms.org)

## IPMS/USA Support the Troops Initiative

The IPMS/USA initiative was established to provide model kits, supplies and reference materials to our servicemen and women serving in combat zones, recovering in hospitals, and rehabilitating in specialized facilities. The program is expanding into other areas as well. Some local programs take place in USO facilities, some are centered around active duty personnel and are scattered across the country. The IPMS/USA Support The Troops program is still going full-tilt. The national program director is Jon Emery. Jon is accepting any and all contributions and is sharing them with all of the active programs around the country.

[www.models4troops@gmail.com](mailto:www.models4troops@gmail.com)

# PRESIDENT'S SOAPBOX

BY TIM ROBB



Greetings modelers.

We are heading into the heart of show season with many model shows and other events coming soon. There is lots to be excited about.

Come on out Thursday for a fun meeting.

Go Build a Model!

Tim







# HOUSE CLEANING



## ASMS MEETING

Third Thursday each month  
6:30 pm - 8:45 pm  
at Mr. Tramp's Sports Pub  
8565 Research Blvd  
Austin, TX 78758

**No Reservations Necessary!**

### ***ASMS Club Dues Are Due!***

Annual ASMS club dues are \$25.00/individual  
or \$30.00/family.

You may bring your dues to a club meeting or remit  
same to ASMS, 1928 Dragonfly Loop, Bastrop, TX  
78602.



## Events

April 20, 2024 – Route 66 Model EXPO  
Location: The Park Church of Christ, 10600 E 96th  
St. S, Tulsa, OK 74135  
Time: 9-4pm  
POC: Greg Kittinger  
Phone: 9182608349  
E-mail: greg.kittinger@gmail.com

May  
May 4 – IPMS Houston Model Mania 2024  
Location: Stafford Centre, 10505 Cash Road, Staf-  
ford, TX 77477  
POC: Kenneth Jackson  
Phone: 1-281-435-0666  
E-mail: kw.jackson.1@hotmail.com

## Club Quarterly Contests

## Monthly Meeting Presentations:

Bill Z will be giving a presentation on  
MERDC camouflage.

# A BASE FOR YOUR BUGGY

BY RICK HERRINGTON

Primarily I am an armor modeler and once I made a vow not to show an armored vehicle without its environment. In this case it's Trumpeters BMD-3. in 1/35 scale.

In this article I hope to share with you my simple process for creating a scenic base for your model.



This is the finished BMD-3 except for infra red spotlight. I marked it with a Z to indicate it participated in Putin's "Special Military Operation".

In reality these vehicles were air droppable and lightly armored. A fifty caliber machine gun could punch holes in it easily and it probably wouldn't have lasted more than a couple of days in combat,

The kit went together well and even included a small sfret of photo etch,



The Plaque for rhe base started off as an ex-award. I peeled off the brass repurposed it for this project. The base was in pretty rough shape so a coat of Vallejo gloss black primer was the first step.



Prior to this project the base sported an M113 ITV. I didn't want tro strip the existing ground work off so a layer of Sculptamold was to be step 2.

Before I get ahead of myself let me list what you'll need to do one of these projects yourself.

In addition to the base you'll need some Sculptamold, Sobo or Elmer's glue, rocks, Earth or sand from your garden and some lichen moss for shrubbery.



It's important to do some research on the Interweb to find out what kind of terrain your model operated in before you set off to creating a base. Since mine is a Russian vehicle and marked with a Z it would be operating in Ukraine.

I have been creating bases for my models for many years and over those years have collected lots of material for depicting ground work.



My bag of collected rocks



Model Rail Roding to the rescue. A bag of scale ballast that doubles for sand.



Horse hair tall grass and a package of lichen for small bushes.



Sculptamold as the primary base to mix dirt sand and white glue into.

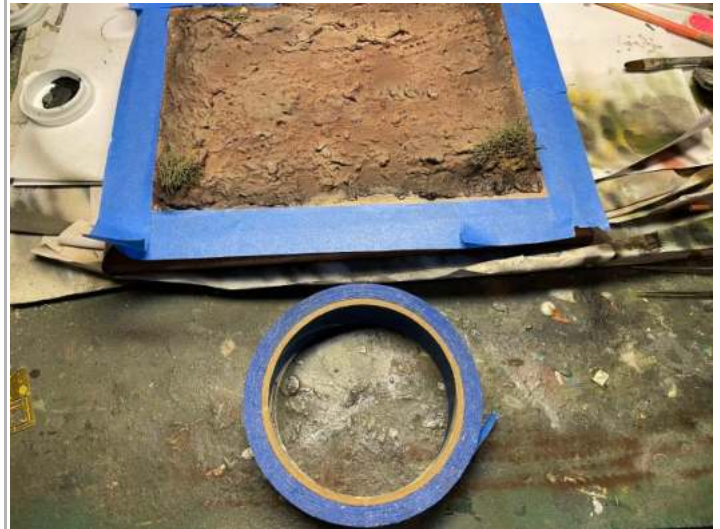






Cheap acrylic color from Wally World to mix with the Sculptamold.

Mix the color, Sculptamold, Sobo glue and soil together and apply it to your base. Tape off the edges so that you can air brush it later. Let it dry overnight.





Color added to the base really brings it to life.







The finished project. The base adds a lot to the final presentation of your kit and is certainly an eye catcher.





## A New Tamiya kit Review

by Chris Chany

On April 1st, I decided to open up a Tamiya box that I had in my stash for a while. Since I was going to work on this Tamiya offering, I decided I would also do a quick review for the Sprue Examiner. The box comes in the standard Tamiya white box with the red and blue logo. Upon opening the box, I was pleasantly surprised to notice that each part was individually wrapped. When I unwrapped one of the parts, I noticed that it came already painted and decaled. The paint was a light tan on one side and a darker tan on the other side. The decals did not show any silvering and looked more like they were actually screen printed. (continued on page12)



# LI<sup>ON</sup>HEART

— H O B B Y —

The last several weeks have seen some wonderful new releases hit the shelves, and here are some of the highlights:

- 1/48 ICM #48320 B-26B Marauder
- 1/48 Mig Ammo #8510 MiG-17F Fresco C North Vietnam & China
- 1/35 MiniArt #35401 M3 Stuart Initial With Full Interior
- 1/35 MiniArt #35425 M3 Stuart Initial w/out Interior
- 1/35 MiniArt #35418 K-51 US Radio Truck with Trailer and Full Interior
- 1/72 Eduard #2145 Bf109G-6 Late & G-14 "Gustav" Dual Combo Limited Edition
- 1/48 MiniArt #48209 P-47D-30RA Thunderbolt Advanced Kit
- 1/25 MPC #1001 Shirley Muldowney Long-Nosed Mustang Funny Car
- 1/25 MPC #1002 1960 Chevy Corvette 3n1

By the next edition of Sprue Examiner in May we expect to have seen the arrival of Eduard's much anticipated P-51B Mustang Dual Combo and Royal Class boxings. Possibly we will have seen the 1/16 Takom / Andy's M8 Greyhound Armored Car as well!

Best Regards,

Rudy Cline  
President, LionHeart Hobby

Tamiya Kit Review continued....

The “part” itself tasted like a typical butter cookie. I would recommend this Tamiya offering to anyone who needs a break while building a complicated model (April fools!)



## AB International Airport display case

by Tim Robb

As some of you know when ABIA was being built 25 years ago they approached ASMS about a model plane display commemorating the history of Bergstrom AFB. In short, they built cool airfoil shaped aluminum and plexiglas display cases which we filled with 1/72 models and they supplied the signage for the display. The display is currently located in the baggage claim area.

The group Tim met with is charged with maintaining it. It is in fantastically good condition for being 25 years old. They dust monthly.

The original signage crediting ASMS and giving ASMS contact info is all still good except the contact info. Milton's land line number will be replaced with the email address [president@austinsms.org](mailto:president@austinsms.org). so it will be good whoever our future presidents are.

ABIA wants to link our websites, I said yes. We ought to spotlight this display with a short story and photos on ours. They said cool.

There are 6 models that need various repairs. The most challenging will be the C-118. There will be a ceremony Wed. May 22 celebrating the 25th anniversary of the airport. It will be most excellent if we can have the 6 models repaired by then AND we can have representation at the ceremony. We need volunteers to repair models. There is also a need/opportunity for one new model, an F-101.



There is signage in the case regarding a record setting flight of a Bergstrom F-101 in 1957, but no corresponding model.

I praised these folks for the excellent care this display has had for 25 years. Models ASMS has placed in prior years at the Museum of the Pacific War in Fredericksburg and at the Commemorate Air Force Museum in San Marcos were trashed out pretty quickly. Bummer. I would vote to say no if those two ever approach us again.

I have already received emailed meeting notes covering the meeting and future plans from the airport decorating staff. This is a good opportunity for us. Let's pounce on it!

And as always, Go Build a Model!  
Tim



## What's Up wid You?

ASMS/Bill Delk sponsors an on-line ZOOM meeting with whoever wants to join us to talk about models and life. It happens almost every Sunday at 4:00.

Contact Bill Delk to have him send you a link to be able to get into the meeting.

Everyone is welcome.

Bill Delk`s e-mail address  
**Falconfyredeuce@gmail.com.**



This month's contest was in honor of Milton Bell. The theme was "Kits started by Milton". As members may recall when Milton passed his wife Martha offered his started kits to ASMS members with the proviso that they finish them.

There was a great response as lots of great models showed up. Dave Hunter is up first with his Hasegawa Spitfire Mk 16.



Jorge Martin shared his Hasegawa 1/72 Mosquito Mk 6.

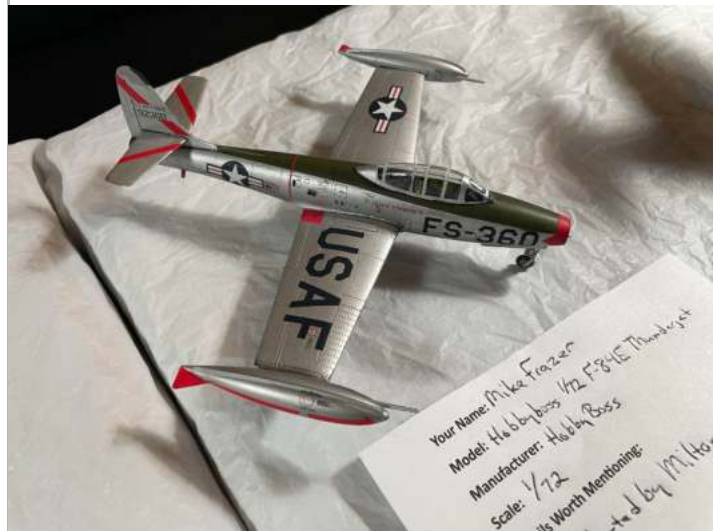
Sam Gurkha shared his De Havilland Vampire, an Airfix 1/48 kit.



Mike Frazer brought in his 1/72 Hobby Boss F84E



Dave Hunter also shared his Spitfire Mk 1 a Tamiya kit in 1/48.



Mike Gilsbach won second place with his great build of Hasegawa's JU-87 B-2 in 1/48.





Rick Herrington brought in a Tamiya 1/72 FW 190A3.



Aaron Smischney brought in two WIPs. The first was an Italeri 1/35 M47. The second was a Kangaroo



Tim Robb brought in two gems. The first was a Hawker Sea Fury by Hobbycraft, and the second was a Hobbycraft P-59 which took third place in the contest.



Moving on to the Sci-Fi Gunpla models for this month we had some impressive ones. Matthew Brown proved he is a Master Modeler again with his 3D print of a Scout Trooper from Star Wars.





Gene Myers shared his AMT Naboo Starfighter kit. To show how eclectic Milton's interests were this was also a "Started by Milton" entry.



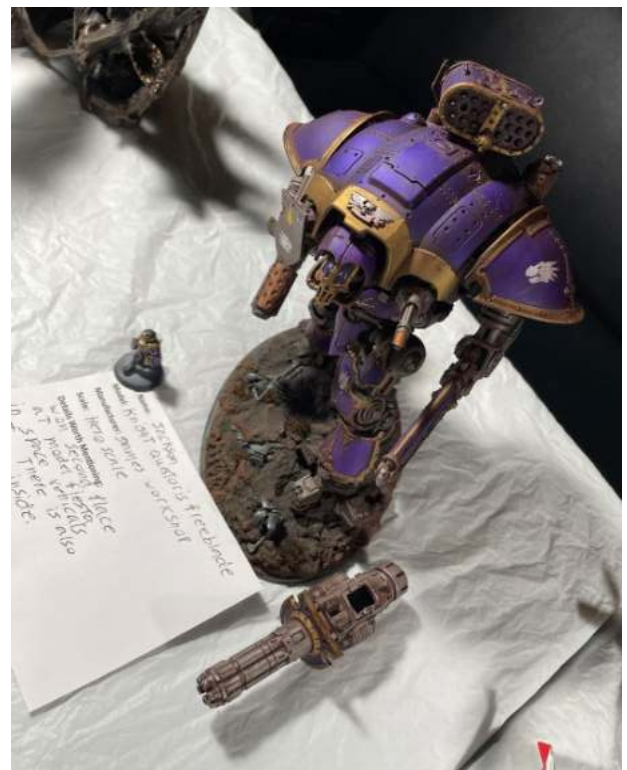
Fred W shared his Master Grade Bandai 1/100 Polypod.



Jackson shared two projects with the group The first was a Bandai Kampfer Legionnaire with a custom mixed candy coat. Stunning finish Jackson!



Second from Jackson was a Knight Questoris Freeblade in 28mm. It won second place in Space Vehicles at Model Fiesta. Jackson also added a pilot.





Peter Dasso won first place in the contest with his A5M Claude. Pete is a master at reproducing metallic finishes.



That's all for this month.

Many thanks to everyone that completed one of the Sarded by Milton kits and remembering the modeler he was.

Hope to see you at the meeting Thursday.

Last to share with us this month is our California representative Randy Bumgardner. Randy shared a couple of pictures of his completed F3F2.



## *Old Rumors and New Kits*

### *New and In View Aircraft* by Ron McCracken

April has a lot of offerings for the smaller scales, not so much in the larger scales. Thanks mostly to Academy, the 1/144th enthusiast has a wide selection of re-issues to choose from. There are several new-tool offerings for the 1/72nd fans.

1/35th Scale:

Clear Prop! Has re-released their TB.2 UAV in Polish markings, possibly with some alternate parts.





1/48th Scale:

AMP has released a Supermarine S.6A as a follow-on to last year's S.6B racer.



Eduard has re-released its F4F-4 Wildcat late configuration in a Profipack edition with six markings options.



Eduard has also re-released their Fokker E.III in a Weekend Edition. Remember, the Weekend Edition kits generally do not include photo-etch parts or masks.

**eduard**

**WEEKEND**  
EDITION



**Fokker E.III**

scale **1/48**

Great Wall Hobby has released a new-tool A-10C Thunderbolt II.





Hasegawa is re-releasing their F-104C Starfighter in Vietnam War 479 TFW markings, with new decals.



Meng is re-releasing their F-35 kit as an F-35I Adir of the Israeli Air Force, with some new parts.



1/72nd Scale:

A&A has announced a new-tool BT-67 Turboprop Utility Aircraft (a DC-3/C-47 converted to turboprop power)





A&A is also releasing a new-tool Il-76MF strategic airlifter. This'll be a giant model in this scale.



Academy is re-releasing their B-24H Liberator in “Zodiak” markings of the 834th Bomb Sq in Sudbury. All the aircraft of this outfit wore nose art featuring different months of the Zodiac.



Academy is also re-releasing their PBM-5A Mariner, although nothing is new but the box art.



Dora Wings is releasing a new-tool Vultee Vengeance Mk.I/IA (A-31). Assuming they did it right, this will be a welcome replacement for the old Frog kit.

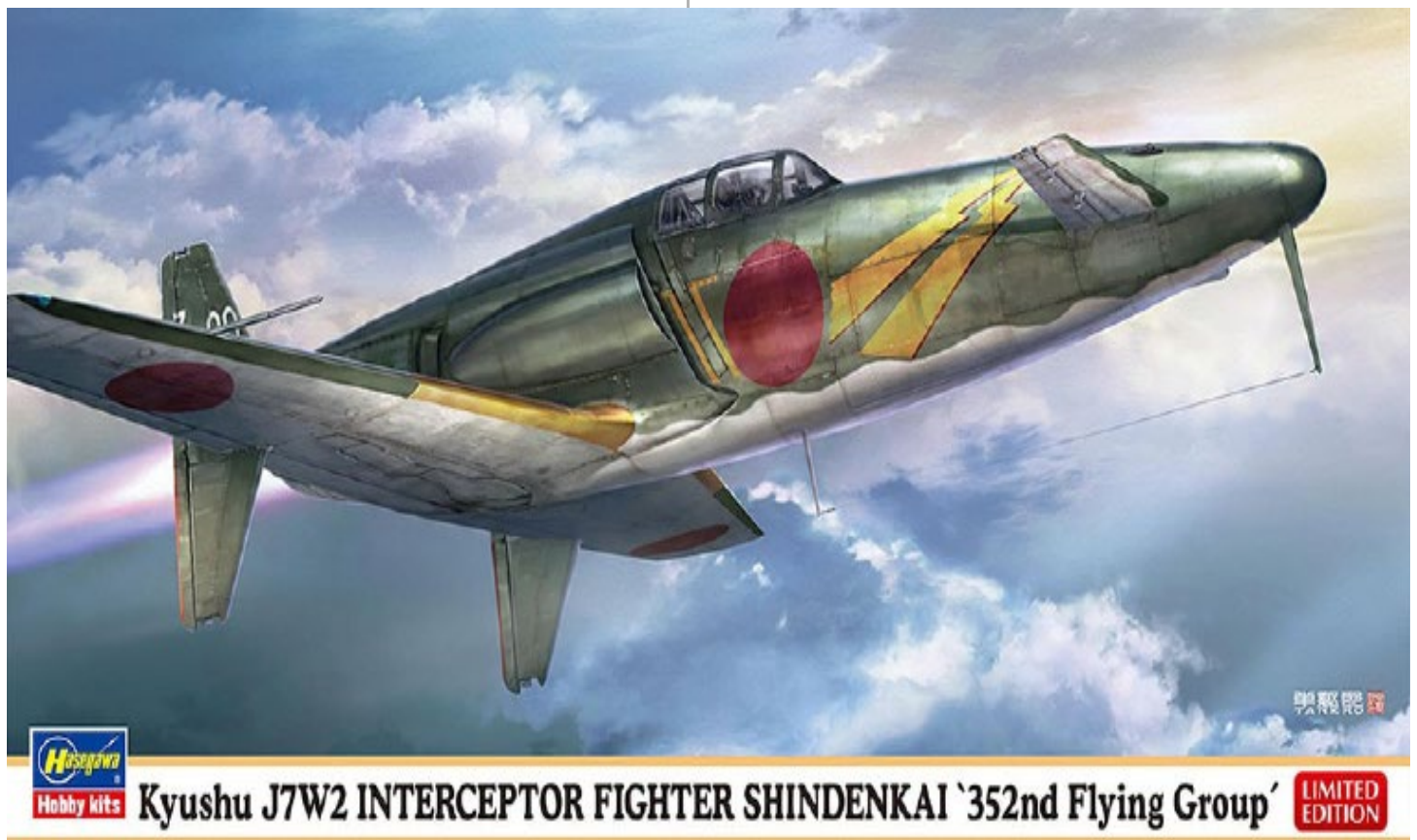




Eduard is releasing a Bf109G-6/14 limited edition Dual Combo kit with new parts and an extensive selection of markings.



Hasegawa is re-releasing their J7W2 Interceptor ShindenKai in 352 Flying Group markings



Modelsvit has released a Mirage 2000C based on their earlier Mirage offerings.



Revell has re-released the ICM Ki-21 Sally kit with new decals





1/144th Scale:

Academy has re-released a C-47 Skytrain originally produced under the Minicraft label.



Academy has likewise re-released a DC-6C/C-118 Liftmaster, another former Minicraft offering.



Academy has re-released an E-3G AWACS, again a former Minicraft kit.



Academy has re-released a KC-135R Stratotanker.





Finally, Academy has re-released their Tu-22M3 Backfire C kit. This one hasn't been seen for a while, so for many it might qualify as "new".



Aoshima has re-released a US-2 Rescue Flying Boat.

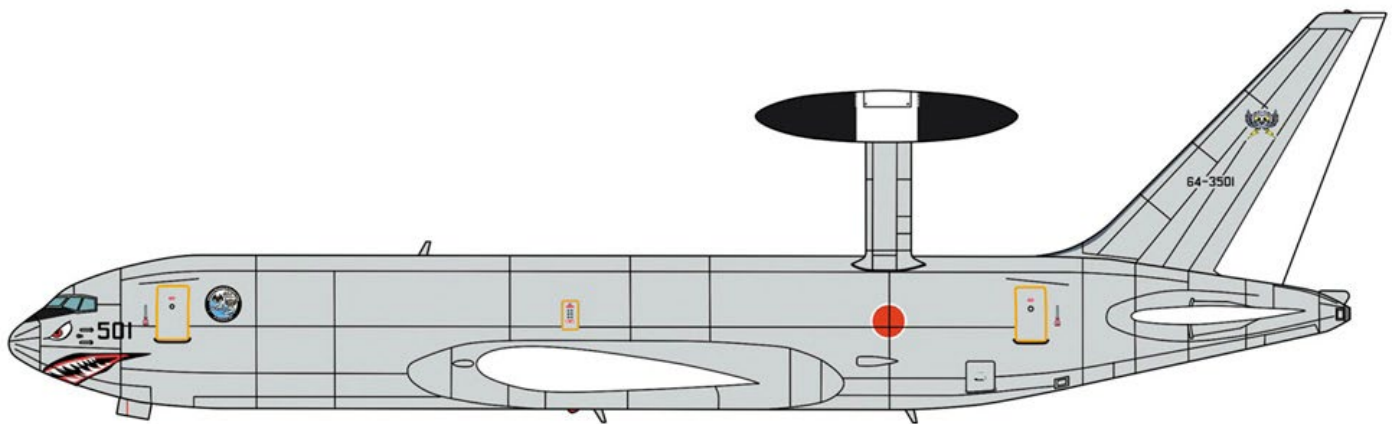


Revell Germany has released a combo kit that commemorates NATO's large-scale field exercise held in 2023 known as "Air Defender". Two aircraft are included: an A400M and a Tornado.



1/200th Scale:

Hasegawa is re-releasing their Boeing 767 kit as an E-767 AWACS in Japanese 40th Anniversary markings, apparently with the addition of parts for the overhead radome.



And there you have it for April. Go build a model!



# Shipping News

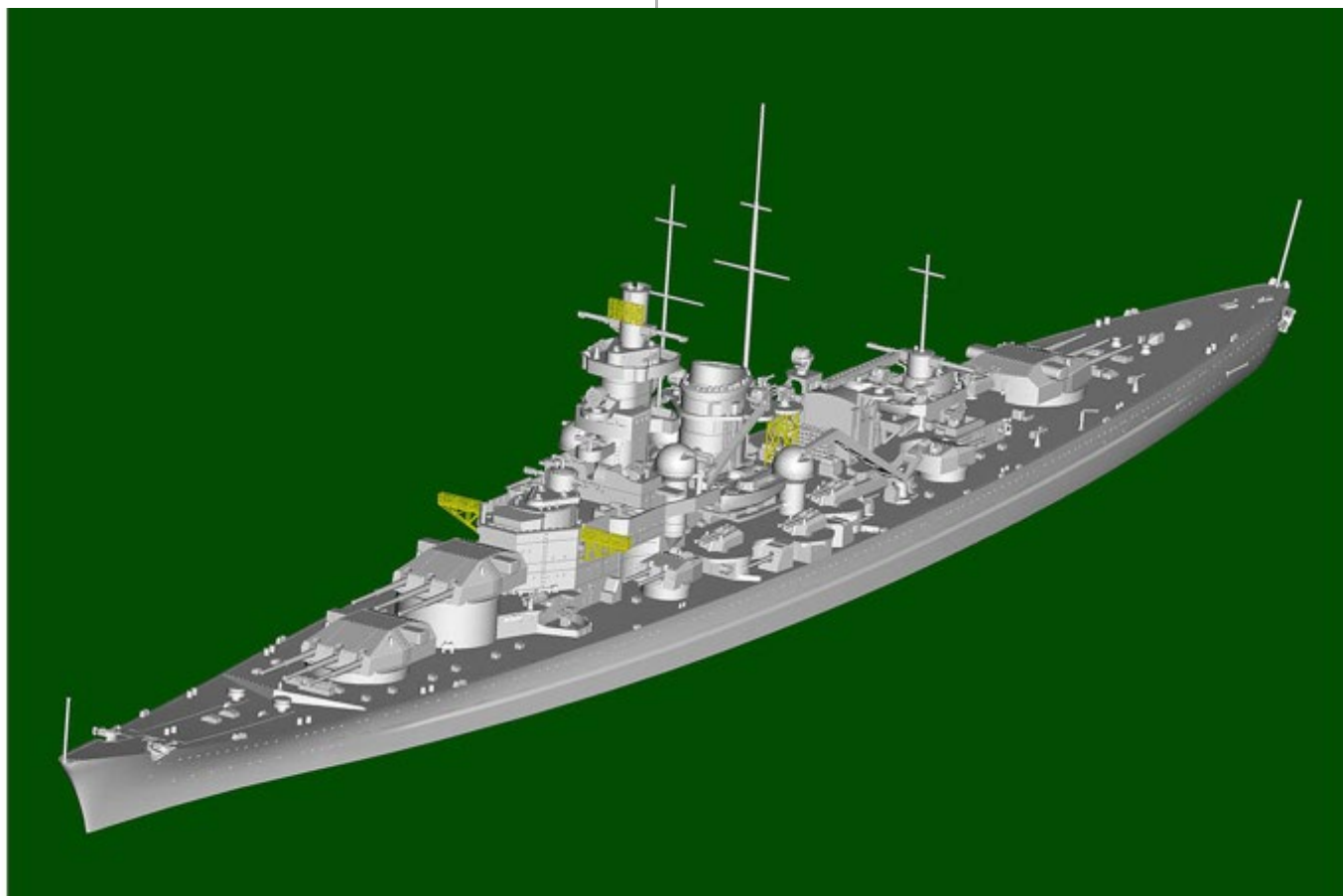
by Rick Herrington

Ahoy mates! A good mix of 1/700 and 1/350 releases this month. Let's get started with 1/700. Fujimi is up first with their IJN heavy cruiser Atago.

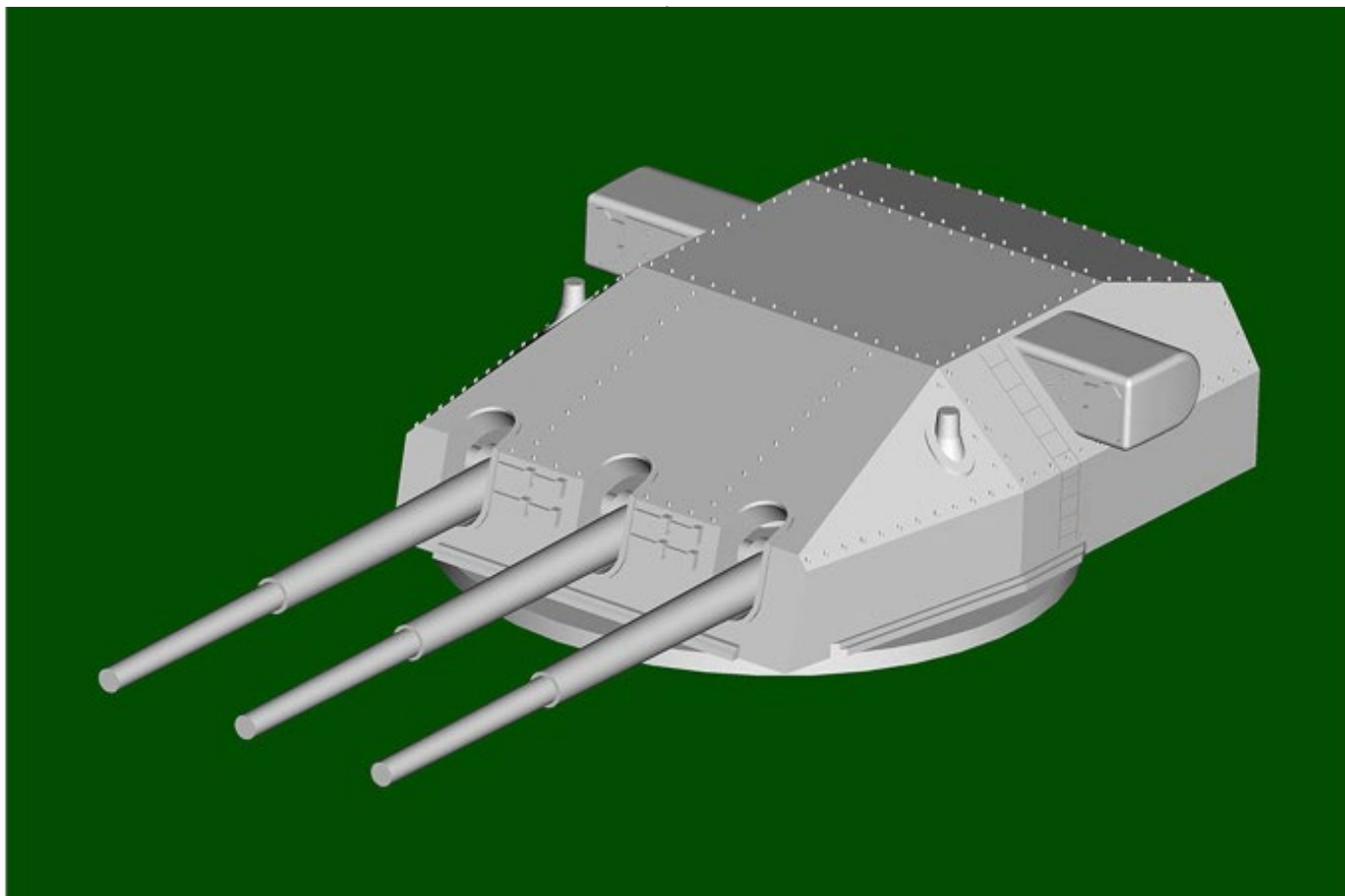


Trumpeter has a couple of new releases in 1/700. The first is the DKM Gneisenau. A welcome release indeed.





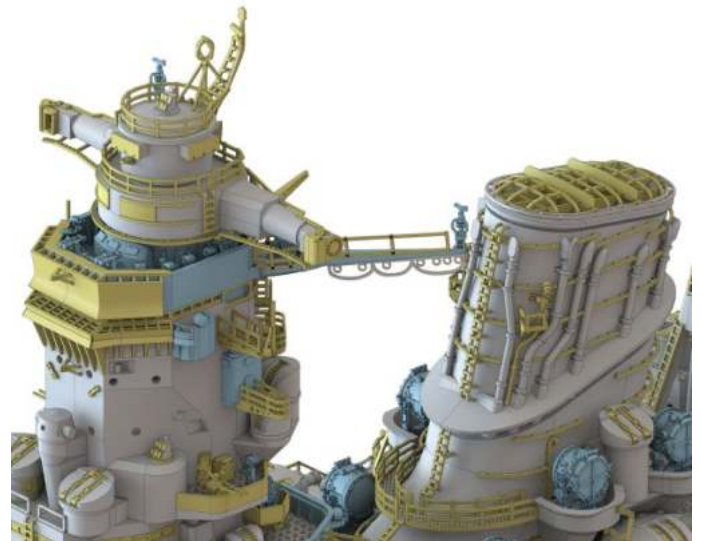




The second is the USS Wasp an assault landing ship.



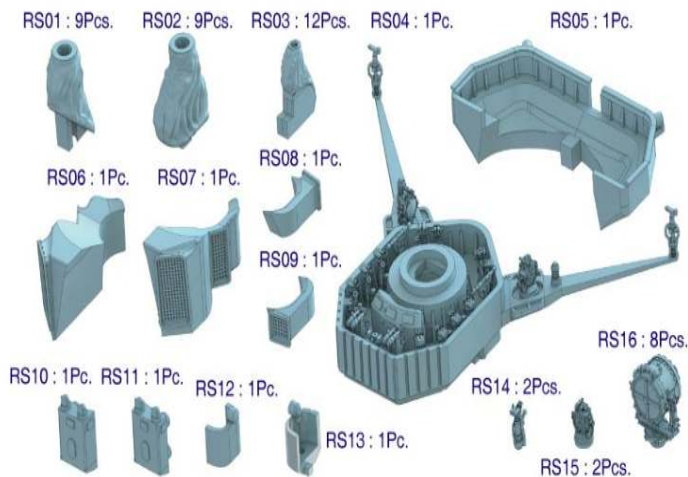
From Pontos Models comes a complete model of the IJN Yamato as she appeared in 1941. Pontos, known for their great wooden decks has included all the bells and whistles with this one including 3D printed parts.



Dragon is releasing a USS Long Beach CGN-9. Long Beach was the first nuclear powered surface combatant.



AFV is releasing a Republic of China Cheng Kung frigate.





Last up in 1/700 is from Pit Road. They are releasing the Jinkei, an IJN sub tender.



ICM is releasing a 1/72 kit with two K-Verbande submarines.



Moving on to 1/350 scale Trumpeter is releasing a DKM Graf Zeppelin aircraft carrier.



Dragon has two releases for us in 1/350 both of them US destroyers. The first is the DD-459 USS Laffey. The second is USS Gearing DD-710. Always good to have destroyer releases.





# Tracked Topics

By Panzer Lehr

A good mix of new releases this month including some new stuff in 1/16 scale. Let's start with 1/72 scale and work our way up. Mac is up first with a Magirus radio truck.



Armory is releasing a what if German heavy tank, a VK 72.01.



In 1/48 scale Hobby Boss is releasing a Dicker Max.



Moving on to 1/35 scale, first up is Takom with a new tool Sdkfz 250/1 including a driver figure.





AFV has two releases for us this month. The first is an AAV7A1 and the second is an M107 175mm self propelled gun.



Das Werk is releasing a GFF Eagle.



DML/Dragon has 4 releases for us this month. The first is an early version Hetzer.



Second from Dragon is a 251/22 Pak half track.



Third from Dragon is a PzKpFw 4F





Finally from Dragon is a T-34 (1943) with a command cupola.



Hobby Boss has a PLAN Type 59 and a V300 with a Cockerell gun.



I Love Kit has an M3 Grant and an M104 with M747 trailer.



MiniArt has two for us this month also, an M3 Stuart and a Puma with interior.







RFM has three for us this month., a Tiger 1 late production, a Panther Ausf G and an M1A2 SEP V3.



Panda Hobby is last up in 1/35 with a release of a Russian T-14.



Moving on to 1/16th scale we have two announced releases. The first is by Jason Models and this is a set of crew figures for your M8.



Next up is a release from Andy's Hobby that should be available in June, an M113A1/ACAV.





IPMS USA is soliciting articles. We've got some great modeller's in this area and you can help the mother organization to flourish by submitting an article to the Journal.

# ARTICLES WANTED!

Maybe you build cars.  
Or jets. Or figures. Or tanks.  
Maybe you slap em' together.  
Maybe you count every rivet.

## WE WANT TO KNOW WHAT YOU ARE BUILDING



**How did you built it?**  
**What makes this particular subject interesting?**  
**Do you have any special tricks?**

Any IPMS USA member can submit an article on any modeling related topic to the IPMS USA Journal. The standard word count is 3000 and it should be well documented with high resolution photos. Send inquires to: [ipms-q@ipmsusa.org](mailto:ipms-q@ipmsusa.org)



Central Texas  
Scale Modeling Society





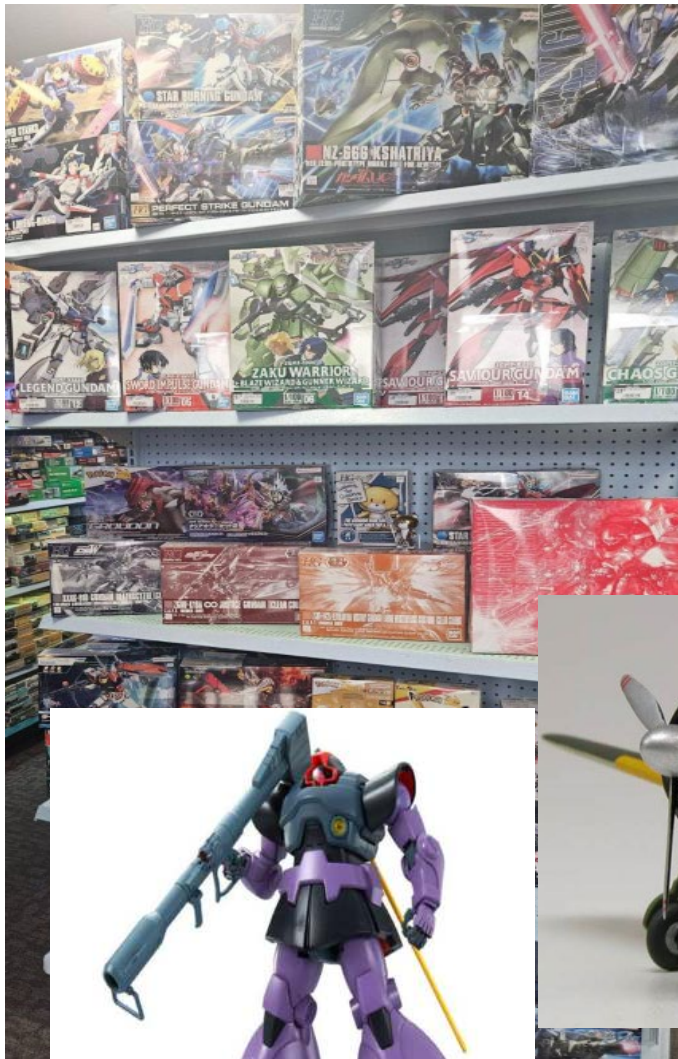
# Something for Everyone!



# King's Hobby

**Modeling With You  
Since 1973**

7801 N. Lamar Blvd., Ste B169,  
Austin, TX 78753  
(512) 836-7388



[kingshobby@kingshobbyshop.com](mailto:kingshobby@kingshobbyshop.com)

<http://www.kingshobbyshop.com>





## Join International Plastic Modeler's Society / USA

IPMS/USA is dedicated to the hobby (and fun) of Scale Modeling. It was started by Jim Sage, of Dallas, Texas, in 1964. There are now branches of IPMS all over the world. Our Local Regions and Chapters sponsor Model shows and contests every year, but you needn't be a member to visit the shows or attend the club meetings!

With IPMS/USA Membership, you will receive the outstanding IPMS/USA Journal six times a year - it includes features on all modeling subjects such as aircraft, armor, automotive, ships, figures - you name it! You will also find listings of IPMS contests, swap meets, hints and tips, and reviews. Membership also qualifies you to participate in IPMS/USA sanctioned contests, and particularly in our World-famous National Convention, held each summer. As a member, you'll also be able to access our online Discussion Board, where a wide variety of modeling topics are discussed, and enjoy interaction with other serious modelers for help with questions about modeling techniques or the Society in general. Many Hobby Shops and Model Vendors around the USA offer discounts to IPMS/USA Members.

Visit us at: <http://www.ipmsusa.org/>  
Join up online at: <http://www.shopipmsusa.org/category-s/100.htm>

For any questions or problems with your membership application/renewal, please contact the IPMS/USA Officer Manager at [manager@ipmsusa.org](mailto:manager@ipmsusa.org)

International Plastic Modelers' Society/USA

Membership Application / Renewal Form

New  Renewal  IPMS#: \_\_\_\_\_

Name: \_\_\_\_\_

Address: \_\_\_\_\_

City: \_\_\_\_\_ State: \_\_\_\_\_ Zip Code: \_\_\_\_\_

Phone: \_\_\_\_\_ E-Mail: \_\_\_\_\_

Chapter Affiliation, if any: \_\_\_\_\_

Junior (17 years or younger)  \$17.00 Date of Birth \_\_\_\_\_

Adult One year  \$30.00

Two years  \$58.00

Three years  \$86.00

Canada & Mexico  \$35.00

Foreign Surface  \$38.00

Family  Adult fee + \$5.00

# of cards? \_\_\_\_

Your Signature: \_\_\_\_\_

If recommended by an IPMS member, please provide his/her:

Name: \_\_\_\_\_ IPMS #: \_\_\_\_\_

PAYMENT OPTIONS:

Cash  Amount: \_\_\_\_\_

Check  Check #: \_\_\_\_\_ Amount: \_\_\_\_\_

Where did you hear about IPMS/USA? Please check all that apply:

Local model club

Friend

Ad in IPMS Journal

Facebook

Ad in other magazine

Internet search

IPMS web site

I'm a former member rejoining

Other \_\_\_\_\_

Applications should be printed and mailed to:

IPMS/USA

P.O. Box 1411

Riverview, FL 33568-1411



# LIONHEART — H O B B Y —



5500 Jack C Hays Trail, Kyle, Texas 78640,

(512) 504-3404

10:00 am – 06:00 pm





**Austin's premier source for  
comics and gaming.**



**2438 W. Anderson Ln,  
Suite B-1  
Austin, TX 78757**